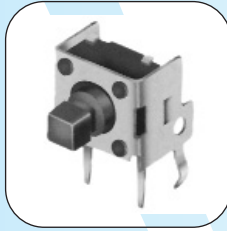
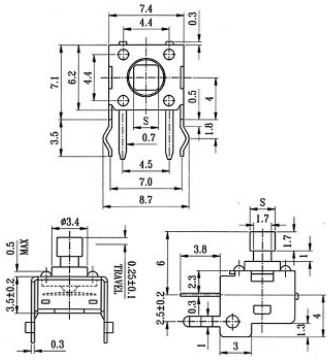


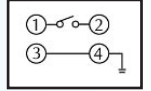
# PRODUKT-INFO

## TD-028V-024V

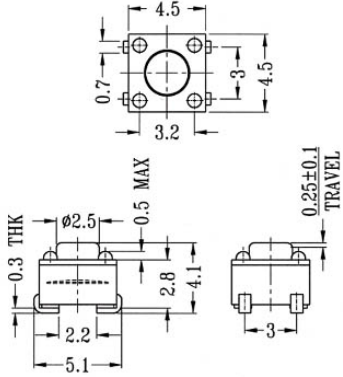


1. RATING: DC 12V 50mA

### CIRCUIT DIAGRAM

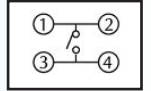


## TD-10UA

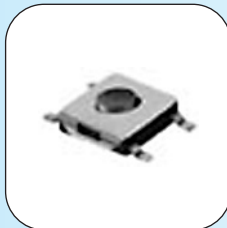
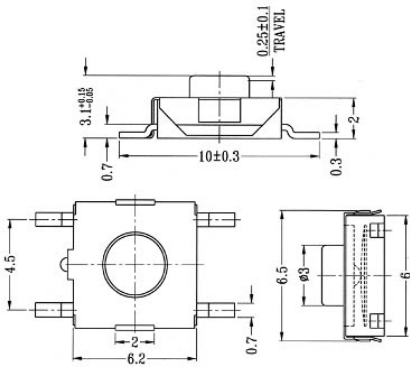


1. RATING: DC 12V 50mA

### CIRCUIT DIAGRAM

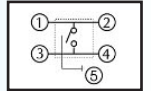


## TD-27XA

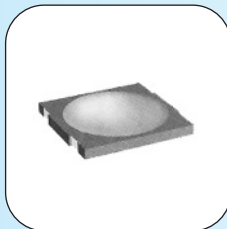
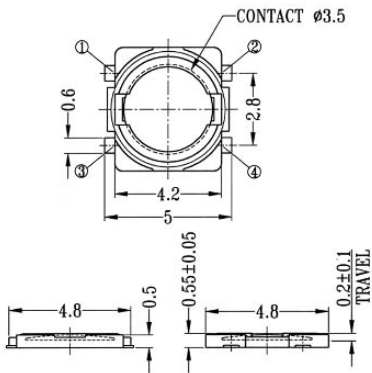


1. RATING: DC 12V 50mA

### CIRCUIT DIAGRAM

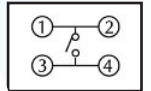


## TD-28XA

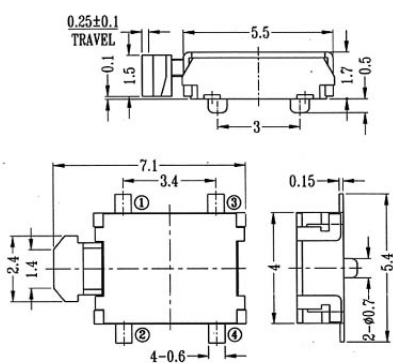


1. RATING: DC 12V 50mA

### CIRCUIT DIAGRAM



## TD-36EA



1. RATING: DC 12V 50mA

### CIRCUIT DIAGRAM

