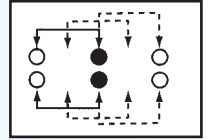


SS-23E39

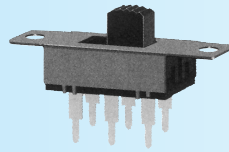
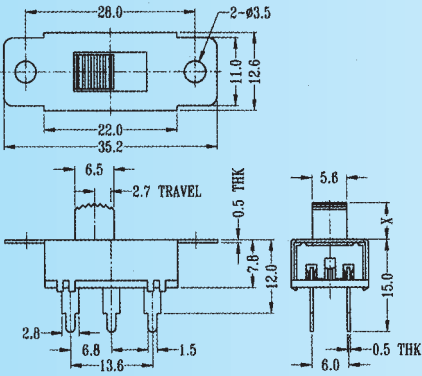
Rating: 1.5A 250V AC
Function: 2P3T



N NON-SHORTING

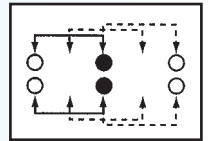
Optional Knob type

GD	TA	UB			



SS-23E44

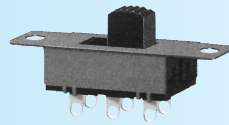
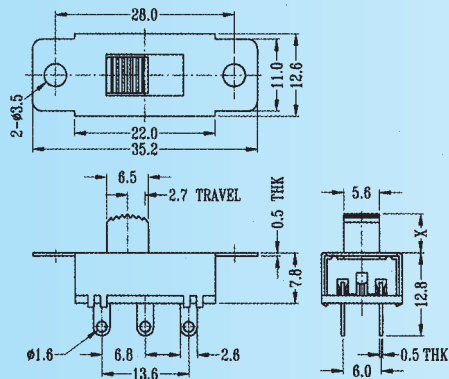
Rating: 1.5A 250V AC
Function: 2P3T



N NON-SHORTING

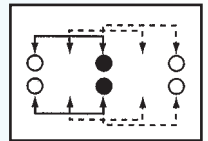
Optional Knob type

GD	TA				



SS-23E48

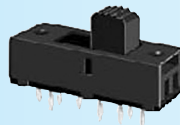
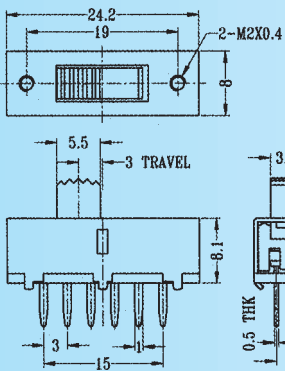
Rating: 1.5A 250V AC
Function: 2P3T



N NON-SHORTING

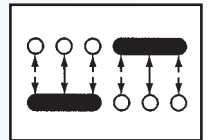
Optional Knob type

GD					



SS-23F01

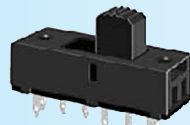
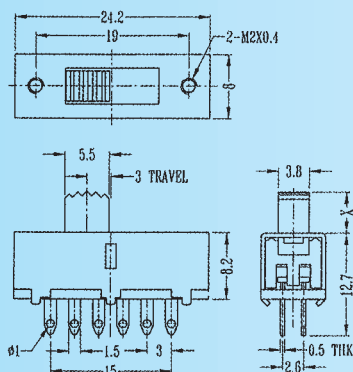
Rating: 0.5A 50V DC
Function: 2P3T



S SHORTING

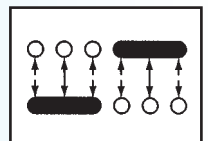
Optional Knob type

MX	TA	GD	NY	AT	GE
TA					



SS-23F02

Rating: 0.5A 50V DC
Function: 2P3T



S SHORTING

Optional Knob type

MX	TA	GD	NY	AT	GE