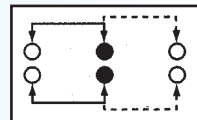
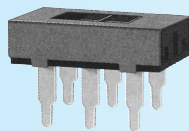
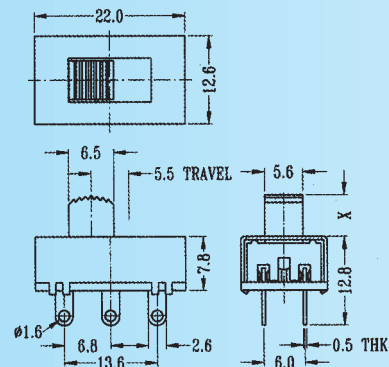


## SS-22K46

Rating: 1.5A 250V AC

Function: 2P2T



**N** NON-SHORTING

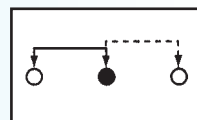
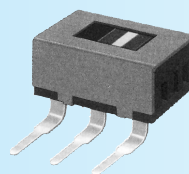
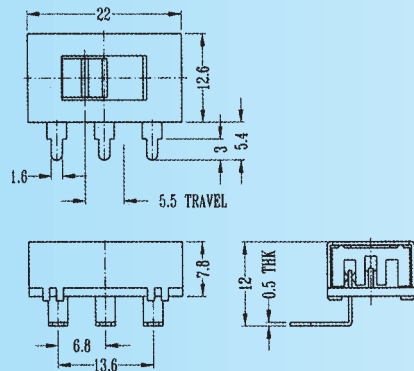
Optional Knob type

TA					

## SS-SP-22K47

Rating: 0.5A 250V AC

Function: 2P2T



**S** SHORTING

**N** NON-SHORTING

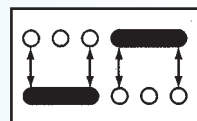
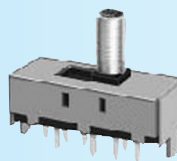
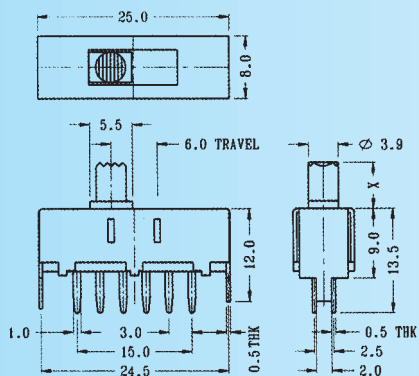
Optional Knob type

GD	TA				

## SS-22L08

Rating: 0.5A 50V DC

Function: 2P2T



**S** SHORTING

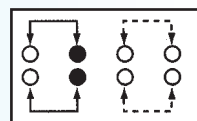
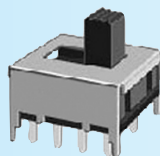
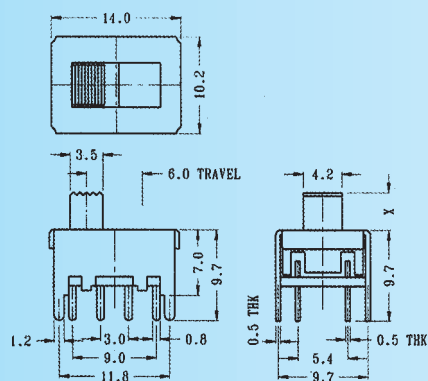
Optional Knob type

MX	TA	GD	NY	AT	GE

## SS-22L13

Rating: 0.3A 50V DC

Function: 2P2T



**S** SHORTING

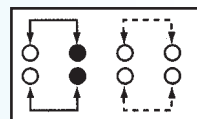
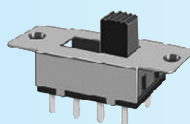
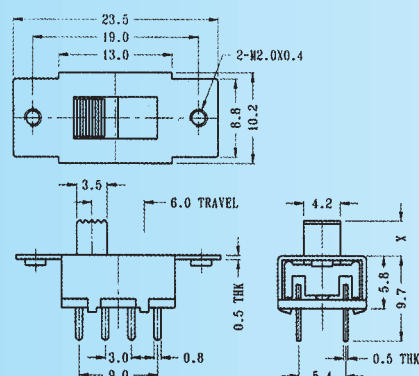
Optional Knob type

GB	NT				

## SS-22L16

Rating: 0.3A 50V DC

Function: 2P2T



Optional Knob type

GB	NT				