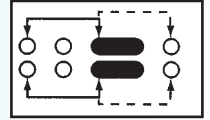


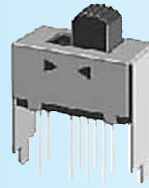
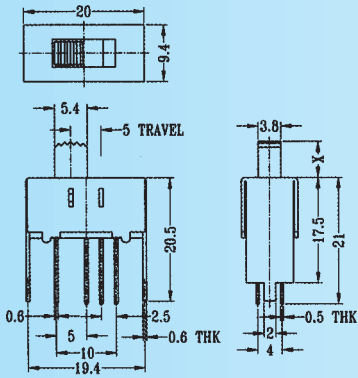
SS-22J12

Rating: 0.3A 50V AC
Function: 2P2T



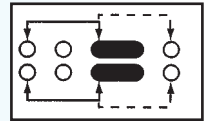
Optional Knob type

MX	GD				



SS-22J13

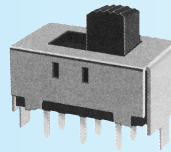
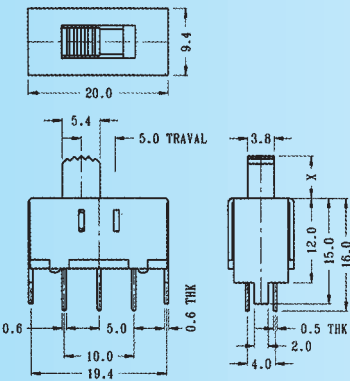
Rating: 0.3A 50V DC
Function: 2P2T



N NON-SHORTING

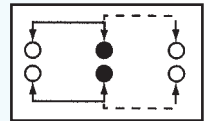
Optional Knob type

MX	GD				



SS-22J22

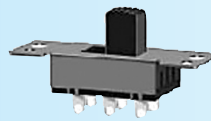
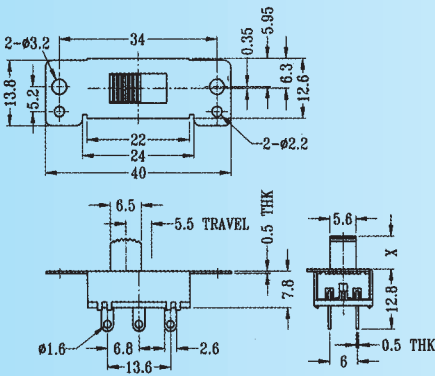
Rating: 0.3A 50V DC
Function: 2P2T



N NON-SHORTING

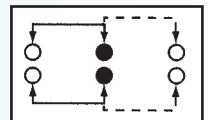
Optional Knob type

GD	GE				



SS-22K22

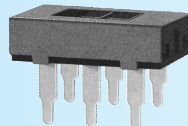
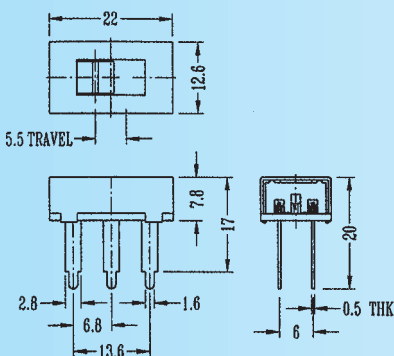
Rating: 1.5A 250V AC
Function: 2P2T



N NON-SHORTING

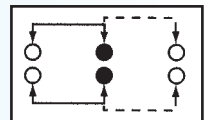
Optional Knob type

GD	TA	UB			



SS-22K24

Rating: 1.5A 250V AC
Function: 2P2T



N NON-SHORTING

Optional Knob type

GD	TA				