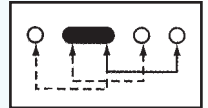


SS-13D15

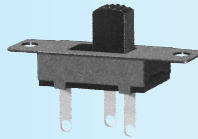
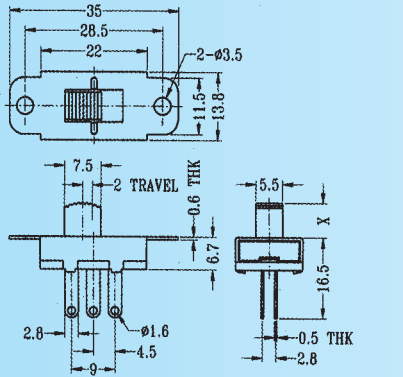
Rating: 0.3A 50V DC
Function: 1P3T



S SHORTING

Optional Knob type

GA					



SS-13D31

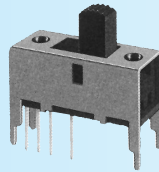
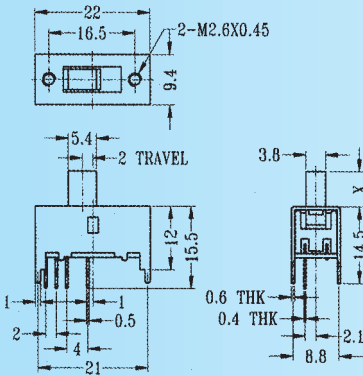
Rating: 1A 250V AC
Function: 1P3T



N NON-SHORTING

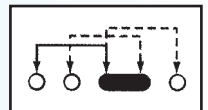
Optional Knob type

GD					



SS-13D43

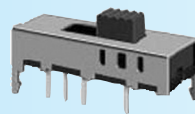
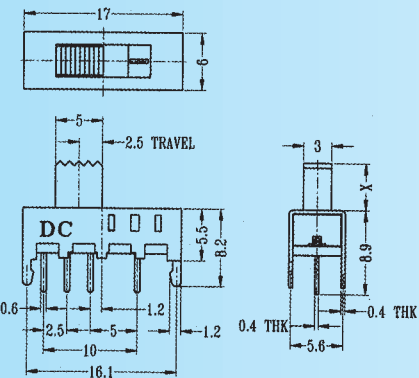
Rating: 0.3A 50V DC
Function: 1P3T



S SHORTING

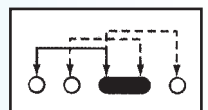
Optional Knob type

GD					



SS-13E05

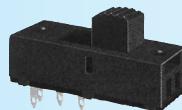
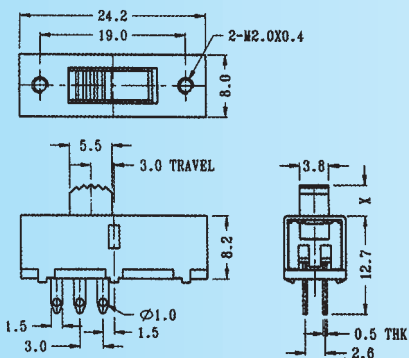
Rating: 0.3A 50V DC
Function: 1P3T



S SHORTING

Optional Knob type

GE					



SS-13F02

Rating: 0.5A 50V DC
Function: 1P3T



S SHORTING

Optional Knob type

GE					