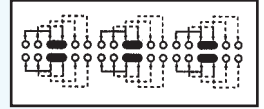


SS-63D10

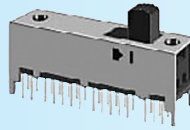
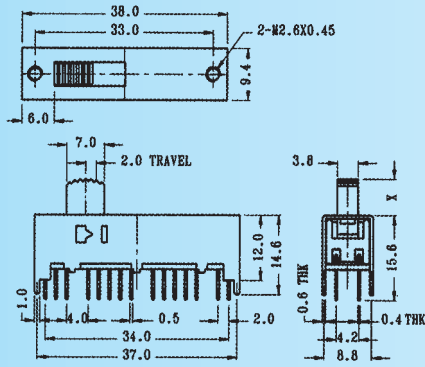
Rating: 0.3A 50V DC
Function: 6P3T



S SHORTING

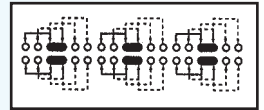
Optional Knob type

GD	MX	AT	NY		



SS-64D01

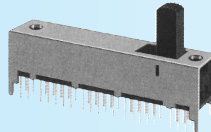
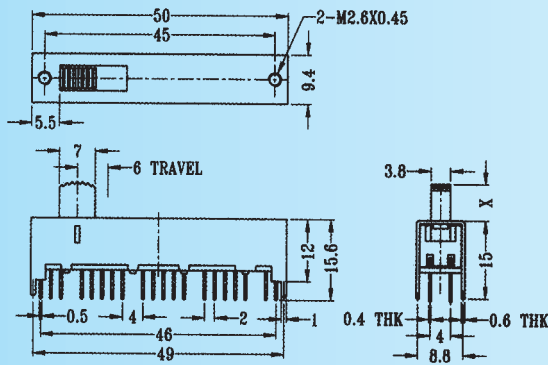
Rating: 0.3A 50V DC
Function: 6P4T



S SHORTING

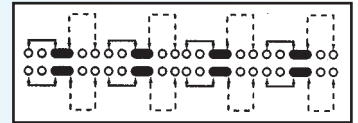
Optional Knob type

GD	AT	TA	MX		



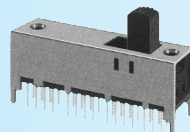
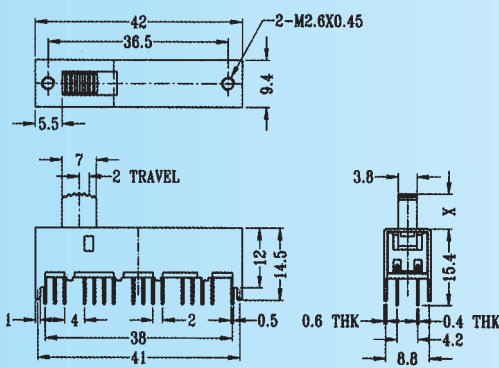
SS-82L02

Rating: 0.3A 50V DC
Function: 8P2T



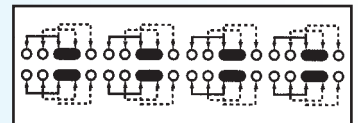
Optional Knob type

GD	GE	MX	TA		



SS-83D01

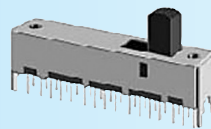
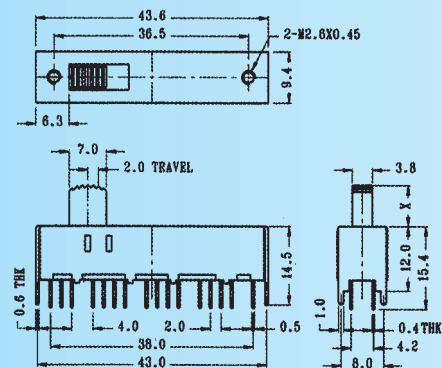
Rating: 0.3A 50V DC
Function: 8P3T



S SHORTING

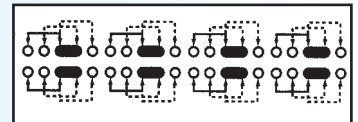
Optional Knob type

GD	TA	MX			



SS-83D02

Rating: 0.3A 50V DC
Function: 8P3T



S SHORTING

Optional Knob type

GD	TA	MX			