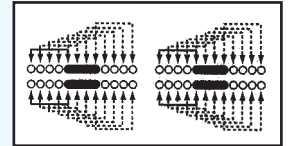


SS-48D01

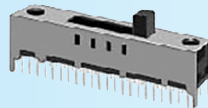
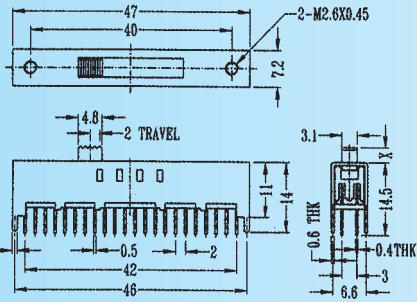
Rating: 0.3A 50V DC
Function: 4P8T



S SHORTING

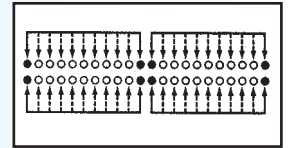
Optional Knob type

| | | | | |
|-----------|--|--|--|--|
| GE | | | | |
| | | | | |



SS-49D01

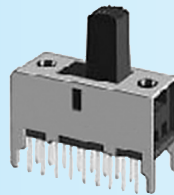
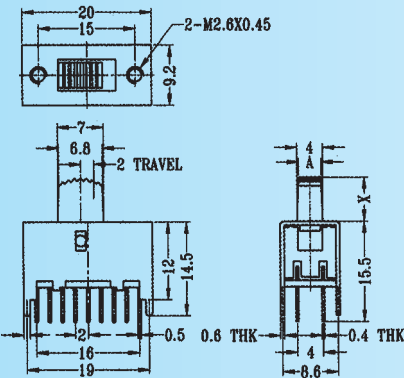
Rating: 0.3A 50V DC
Function: 4P9T



S SHORTING

Optional Knob type

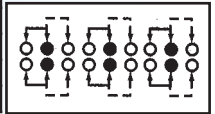
| | | | | |
|-----------|--|--|--|--|
| GE | | | | |
| | | | | |



SS-62D02

Rating: 0.3A 50V DC
Function: 6P2T

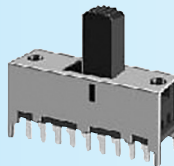
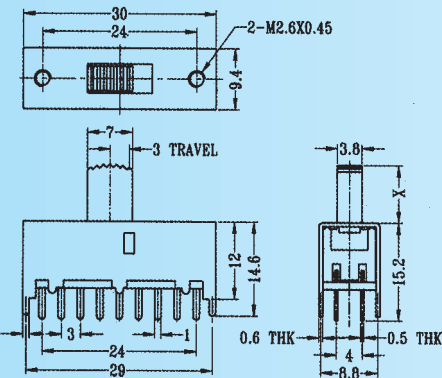
| | |
|----|------|
| X | A |
| S | 3.8 |
| 6 | 3.75 |
| 7 | 3.7 |
| 10 | 3.6 |
| 12 | 3.5 |



S SHORTING

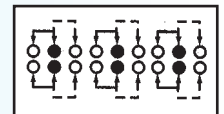
Optional Knob type

| | | | | |
|-----------|--|--|--|--|
| GD | | | | |
| | | | | |



SS-62F01

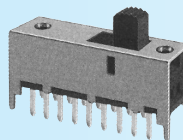
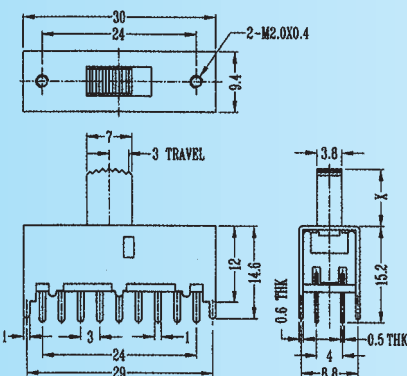
Rating: 0.3A 50V DC
Function: 6P2T



N NON-SHORTING

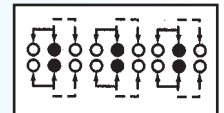
Optional Knob type

| | | | | |
|-----------|--|--|--|--|
| GD | | | | |
| | | | | |



SS-62F02

Rating: 0.3A 50V DC
Function: 6P2T



N NON-SHORTING

Optional Knob type

| | | | | |
|-----------|--|--|--|--|
| GD | | | | |
| | | | | |