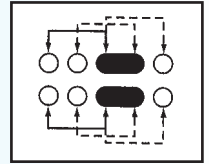


**SK-23D09 (L3 R1)**

**SK-23D29 (L1 R3)**

Rating: 0.3A 50V DC

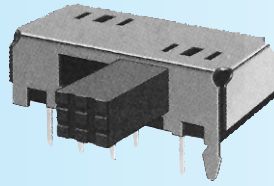
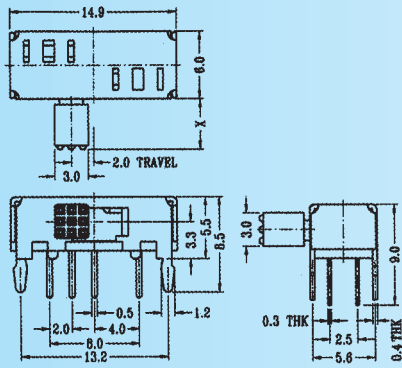
Function: 2P3T



**S** SHORTING

Optional Knob type

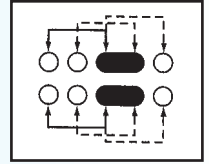
|    |  |  |  |  |  |
|----|--|--|--|--|--|
| GE |  |  |  |  |  |
|    |  |  |  |  |  |



**SK-23D12 (L3 R1)**

Rating: 0.3A 50V DC

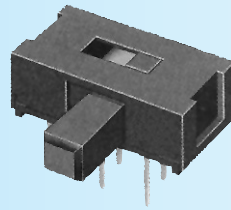
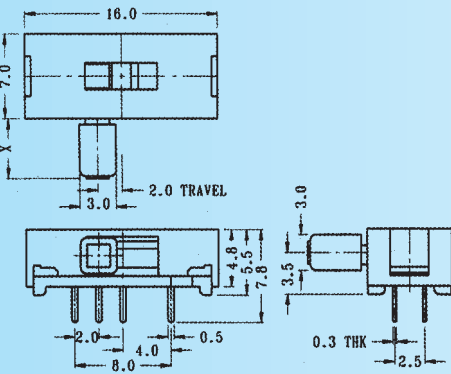
Function: 2P3T



**S** SHORTING

Optional Knob type

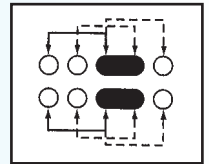
|    |    |    |  |  |  |
|----|----|----|--|--|--|
| GE | PG | VA |  |  |  |
|    |    |    |  |  |  |



**SK-23D14 (L3 R1)**

Rating: 0.3A 50V DC

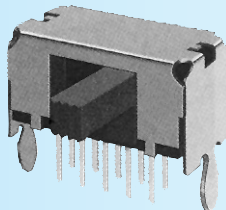
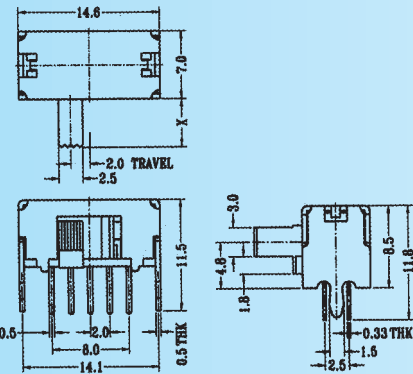
Function: 2P3T



**S** SHORTING

Optional Knob type

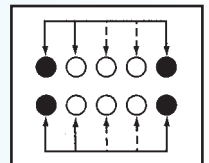
|    |    |    |    |  |  |
|----|----|----|----|--|--|
| GE | TH | TA | VA |  |  |
|    |    |    |    |  |  |



**SK-23D15 (L3 R1)**

Rating: 0.3A 50V DC

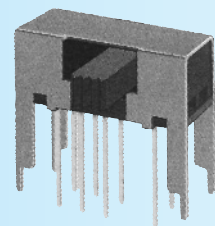
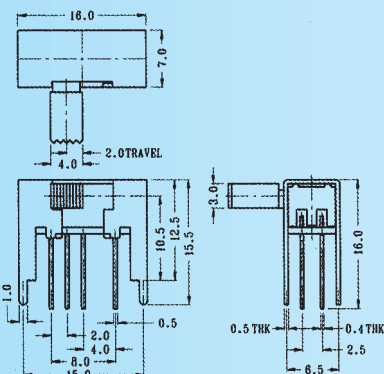
Function: 2P3T



**S** SHORTING

Optional Knob type

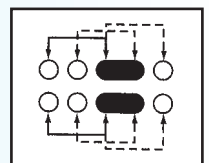
|    |  |  |  |  |  |
|----|--|--|--|--|--|
| GE |  |  |  |  |  |
|    |  |  |  |  |  |



**SK-23D16**

Rating: 0.3A 50V DC

Function: 2P3T



**S** SHORTING

Optional Knob type

|    |  |  |  |  |  |
|----|--|--|--|--|--|
| GS |  |  |  |  |  |
|    |  |  |  |  |  |