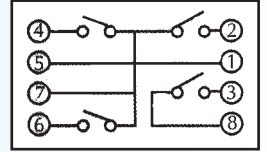
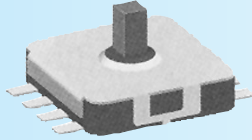
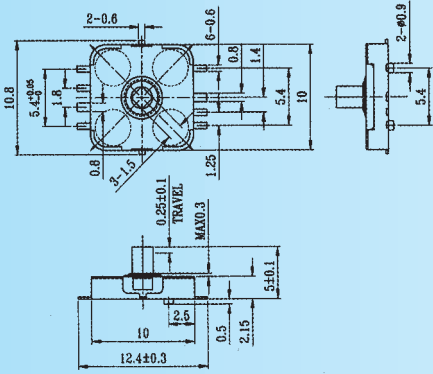


# PRODUKT-INFO MULTI FUNCTION SWITCH

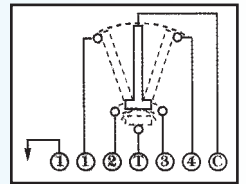
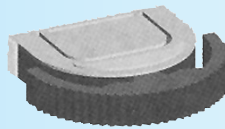
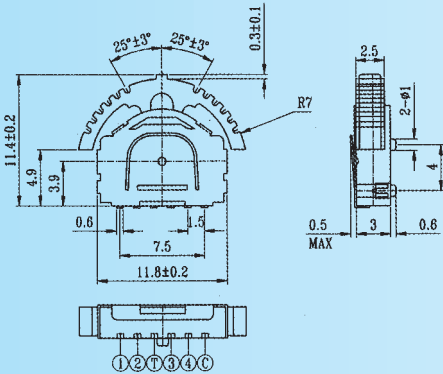
## MT-001A

Rating: 50mA 12V DC  
Initial Contact Resistance: 100 mΩ max  
Function: 4 Position



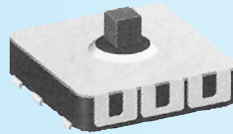
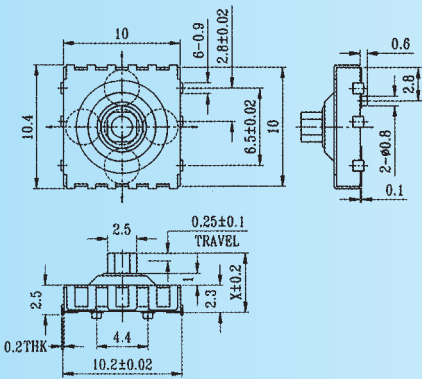
## MT-002A

Rating: 50mA 12V DC  
Initial Contact Resistance: 100 mΩ max  
Operating Force: 70 gf  
Push Position: 200 gf

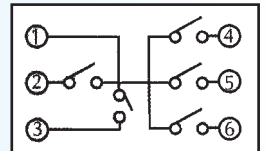


## MT-003 SERIES

Rating: 50mA 12V DC  
Operating Force Central: 300 ± 80 gf  
Local: 160 ± 50 gf

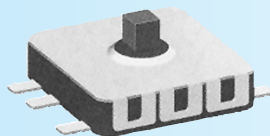
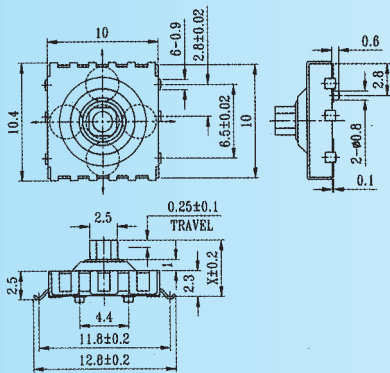


MODEL	X
MT-003A	5
MT-003B	7
MT-003C	9

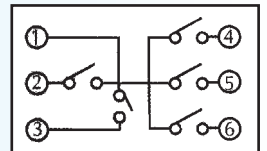


## MT-004 SERIES

Rating: 50mA 12V DC  
Operating Force Central: 300 ± 80 gf  
Local: 160 ± 50 gf



MODEL	X
MT-004A	5
MT-004B	7
MT-004C	9



## MT-006

Rating: 50mA 12V DC  
1 mA 10V DC (ENCODER)

