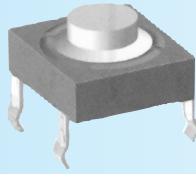
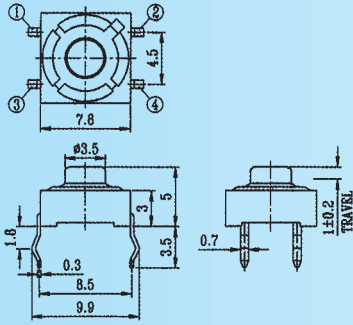
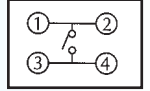


## TC-17XA SOFT TOUCH

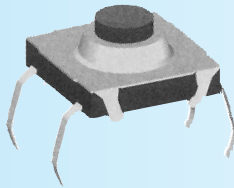
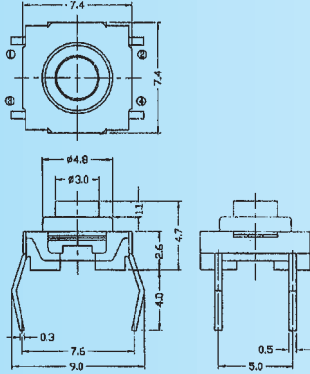


1. RATING: DC 12V 50mA
2. TRAVEL:  $1.0 \pm 0.2$  mm
3. CONTACT RESISTANCE  $100\text{m}\Omega$  MAX
4. OPERATING FORE:  $120 \pm 30\text{gf}$

CIRCUIT DIAGRAM



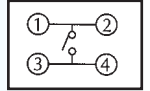
## TC-22XA series WATER PROOF



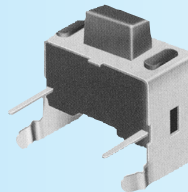
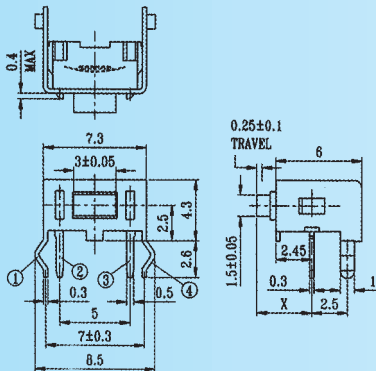
MODEL	Stem length, mm	CODE	Operating Force, gf
TC-22XA	10	T	$100 \pm 30$
TC-22XB	14	V	$130 \pm 30$
TC-22XC	4.7	X	$160 \pm 50$
		Z	$250 \pm 100$

1. RATING: DC 12V 50mA
2. TRAVEL:  $0.5 \pm 0.1$  mm
3. CONTACT RESISTANCE  $100\text{m}\Omega$  MAX
4. OPERATING FORE:  $160 \pm 50\text{gf}$

CIRCUIT DIAGRAM



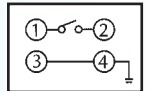
## TC-120V series



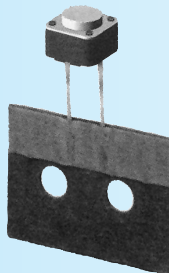
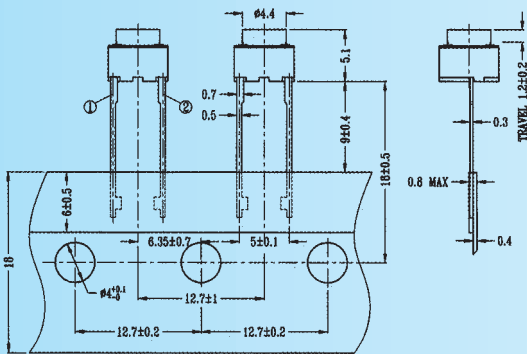
MODEL	Stem length, mm	CODE	Operating Force, gf
TC-120V	3.15	Y	$180 \pm 50$
TC-121V	3.85	Z	$250 \pm 50$
TC-122V	6.85		

1. RATING: DC 12V 50mA
2. TRAVEL:  $0.25 \pm 0.1$  mm
3. CONTACT RESISTANCE  $100\text{m}\Omega$  MAX

CIRCUIT DIAGRAM

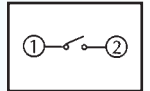


## TC-1131 NO CLICK

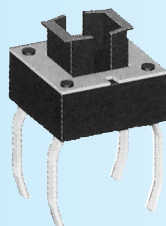
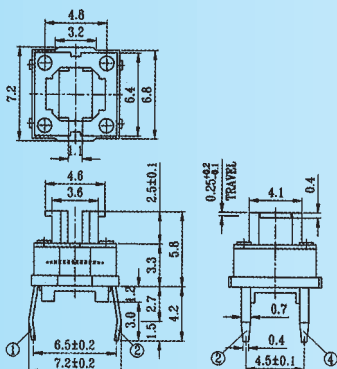


1. RATING: DC 12V 50mA
2. TRAVEL:  $1.2 \pm 0.2$  mm
3. CONTACT RESISTANCE  $100\text{m}\Omega$  MAX
4. OPERATING FORE:  $250 \pm 50\text{gf}$

CIRCUIT DIAGRAM



## TC-1193 LED TACT SWITCH



1. RATING: DC 12V 50mA
2. TRAVEL:  $0.25 \pm 0.2-0.1$  mm
3. CONTACT RESISTANCE  $100\text{m}\Omega$  MAX
4. OPERATING FORE:  $160 \pm 50\text{gf}$

CIRCUIT DIAGRAM

