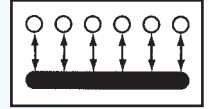


## SS-16F01

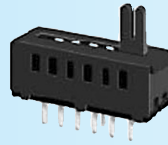
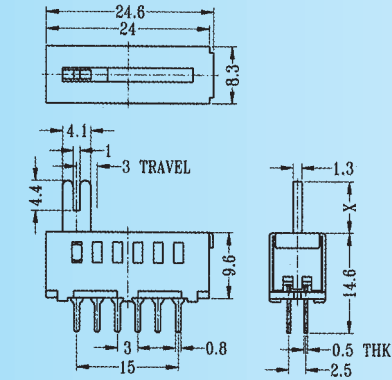
Rating: 0.5A 50V DC  
Function: 1P6T



**S** SHORTING

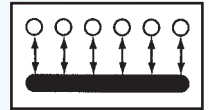
Optional Knob type

NT					



## SS-16F02

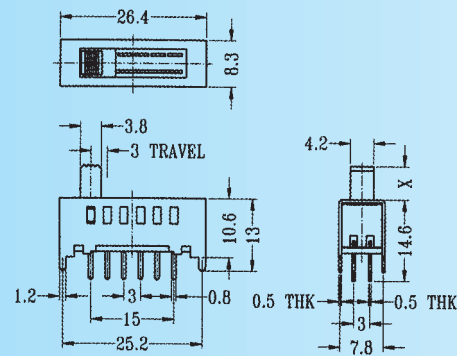
Rating: 0.5A 50V DC  
Function: 1P6T



**S** SHORTING

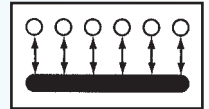
Optional Knob type

VB	UA	GE			



## SS-16F03

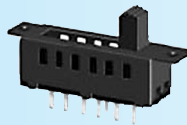
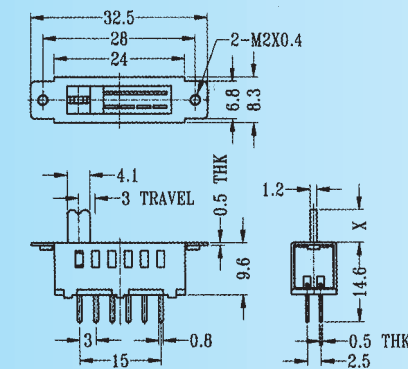
Rating: 0.5A 50V DC  
Function: 1P6T



**S** SHORTING

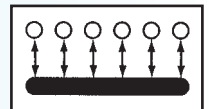
Optional Knob type

GE	VA				



## SS-16F04

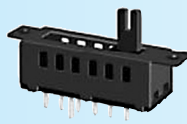
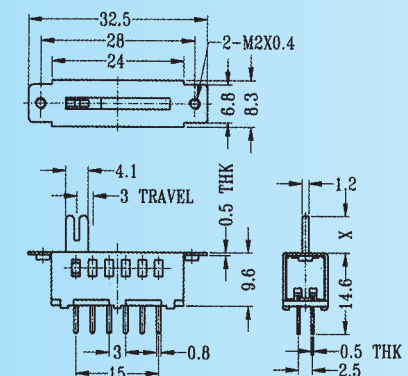
Rating: 0.5A 50V DC  
Function: 1P6T



**S** SHORTING

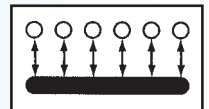
Optional Knob type

VB	UA	GE			



## SS-16F05

Rating: 0.5A 50V DC  
Function: 1P6T



**S** SHORTING

Optional Knob type

VB	UA	GE			