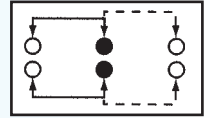


## SS-22K25

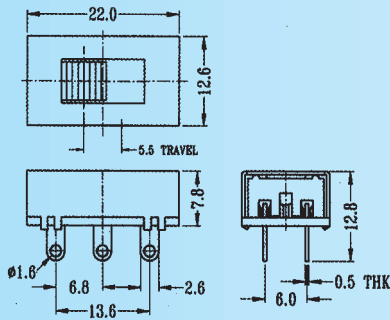
Rating: 1.5A 250V AC  
Function: 2P2T



**N** NON-SHORTING

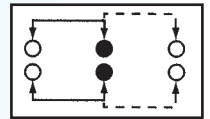
Optional Knob type

GD	TA	UD	UB		



## SS-22K26

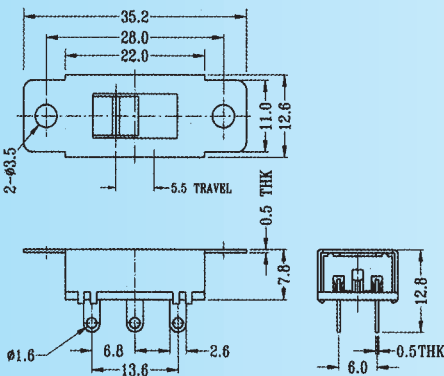
Rating: 1.5A 250V AC  
Function: 2P2T



**N** NON-SHORTING

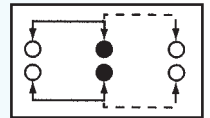
Optional Knob type

GD	TA	UB			



## SS-22K28

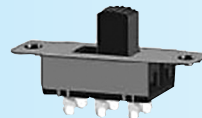
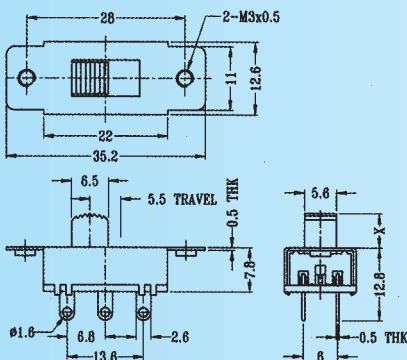
Rating: 1.5A 250V AC  
Function: 2P2T



**N** NON-SHORTING

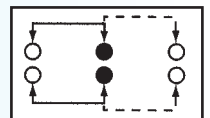
Optional Knob type

GD	TA	UB			



## SS-22K29

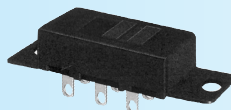
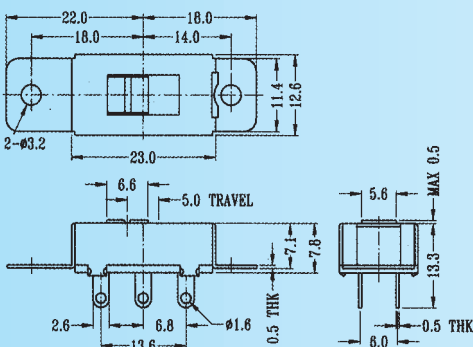
Rating: 1.5A 250V AC  
Function: 2P2T



**N** NON-SHORTING

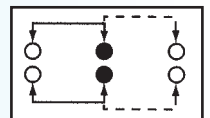
Optional Knob type

GD	TA	UB			



## SS-22K30

Rating: 1.5A 250V AC  
Function: 2P2T



**N** NON-SHORTING

Optional Knob type

TA					