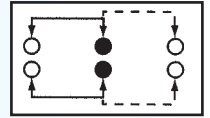


## SS-22K31

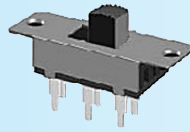
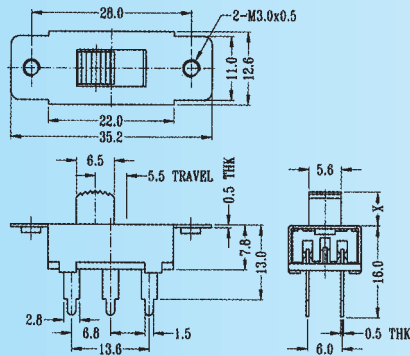
Rating: 1.5A 250V AC  
Function: 2P2T



**N** NON-SHORTING

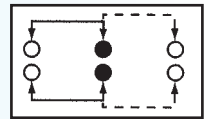
Optional Knob type

GD	TA	UB			



## SS-22K32

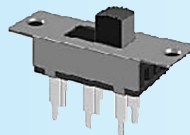
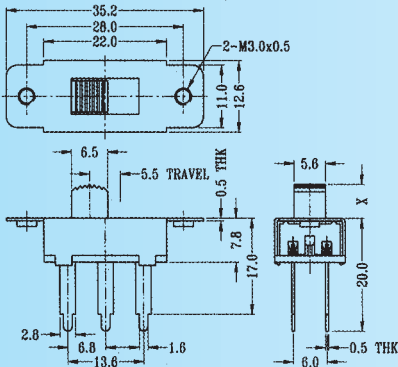
Rating: 1.5A 250V AC  
Function: 2P2T



**N** NON-SHORTING

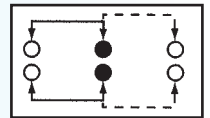
Optional Knob type

GD	TA	UB			



## SS-22K34

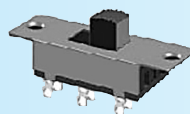
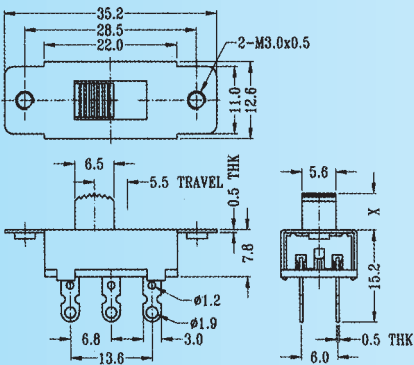
Rating: 1.5A 250V AC  
Function: 2P2T



**N** NON-SHORTING

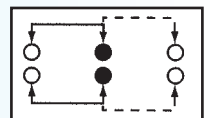
Optional Knob type

TA	GD	UB			



## SS-22K35

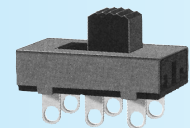
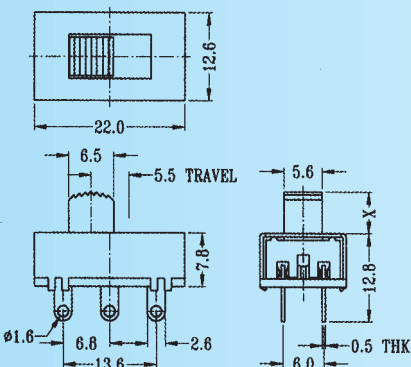
Rating: 1.5A 250V AC  
Function: 2P2T



**N** NON-SHORTING

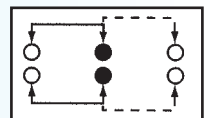
Optional Knob type

TA	GD	UB			



## SS-22K36

Rating: 1.5A 250V AC  
Function: 2P2T



**N** NON-SHORTING

Optional Knob type

GD	TA				