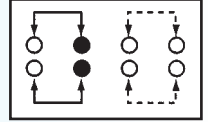


SS-22L24

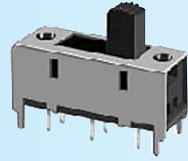
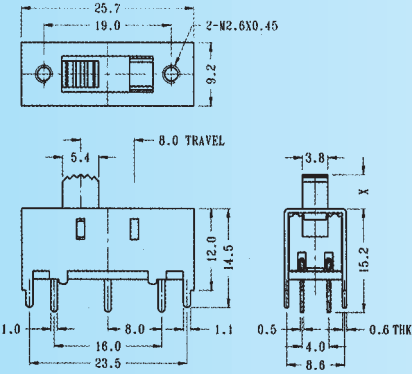
Rating: 0.3A 50V DC
Function: 2P2T



N NON-SHORTING

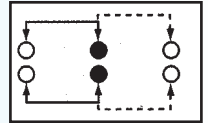
Optional Knob type

GB	NT				



SS-22P01

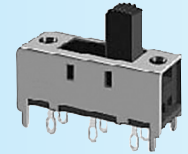
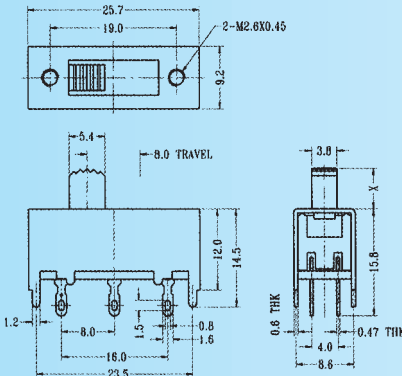
Rating: 0.3A 50V DC
Function: 2P2T



S SHORTING

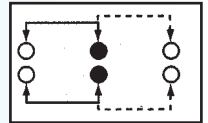
Optional Knob type

MX	AY	NT	GD		



SS-22P03

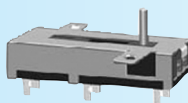
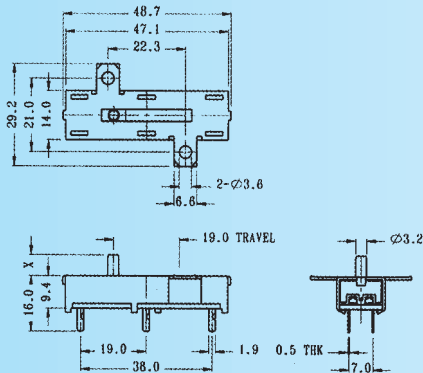
Rating: 0.3A 50V DC
Function: 2P2T



S SHORTING

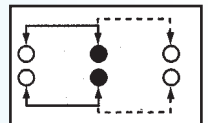
Optional Knob type

MX	AY	NT	GD		



SS-22RQ01

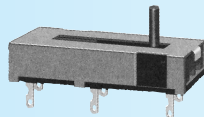
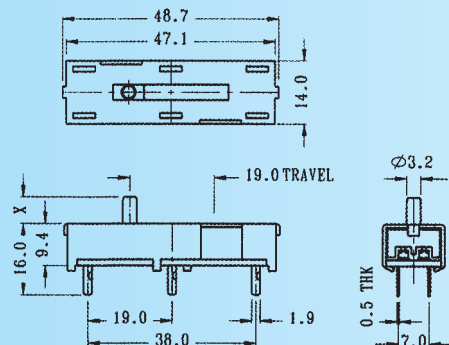
Rating: 0.5A 50V DC
Function: 2P2T



N NON-SHORTING

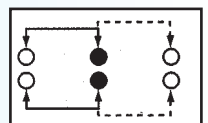
Optional Knob type

NT					



SS-22RQ02

Rating: 0.5A 50V DC
Function: 2P2T



N NON-SHORTING

Optional Knob type

NT					