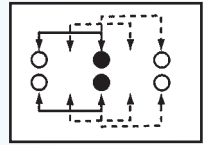


SS-23E25

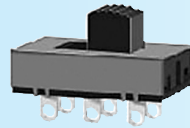
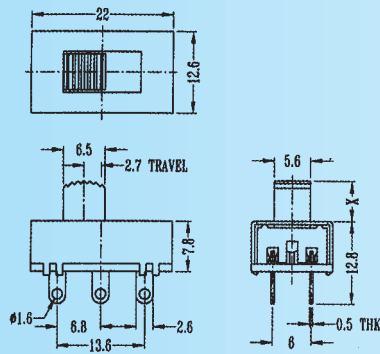
Rating: 1.5A 250V AC
Function: 2P3T



N NON-SHORTING

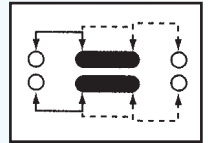
Optional Knob type

GD	TA				



SS-23E26

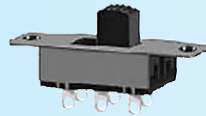
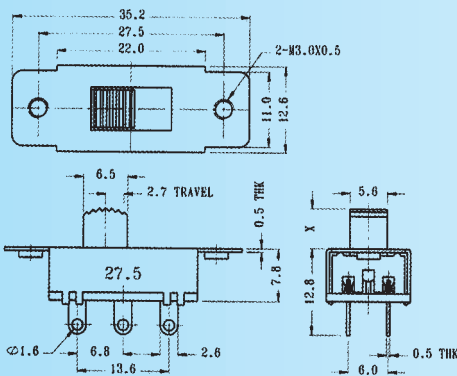
Rating: 1.5A 250V AC
Function: 2P3T



N NON-SHORTING

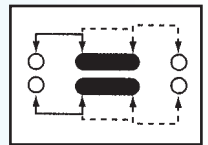
Optional Knob type

GD	TA	UB			



SS-23E27

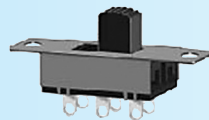
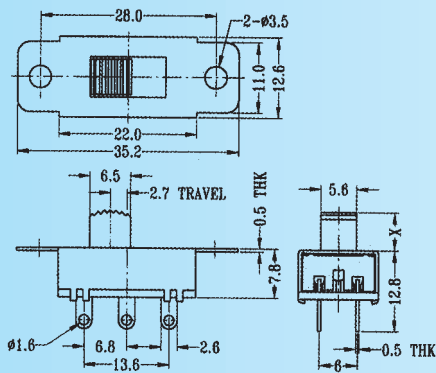
Rating: 1.5A 250V AC
Function: 2P3T



N NON-SHORTING

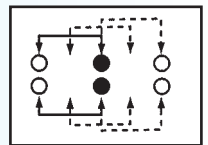
Optional Knob type

GD	TA	UB			



SS-23E28

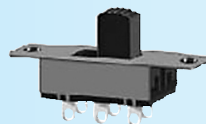
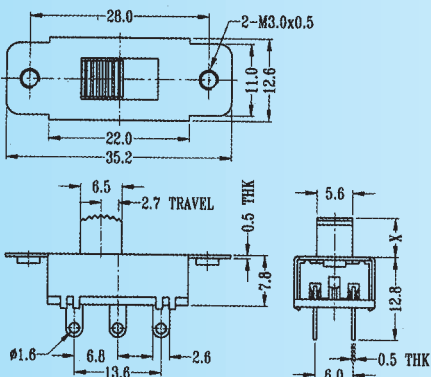
Rating: 1.5A 250V AC
Function: 2P3T



N NON-SHORTING

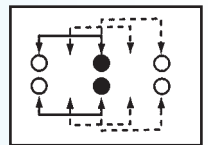
Optional Knob type

GD	TA	UB			



SS-23E29

Rating: 1.5A 250V AC
Function: 2P3T



N NON-SHORTING

Optional Knob type

GD	TA	UB			