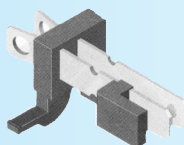
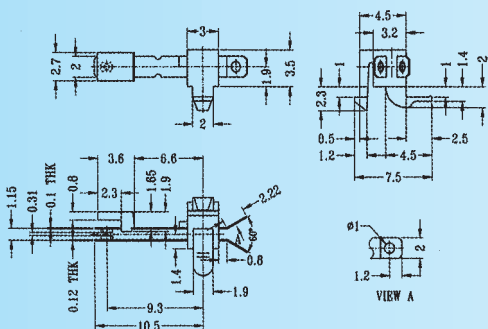
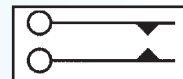


LF-001 series

Rating: 1.5A 16V DC

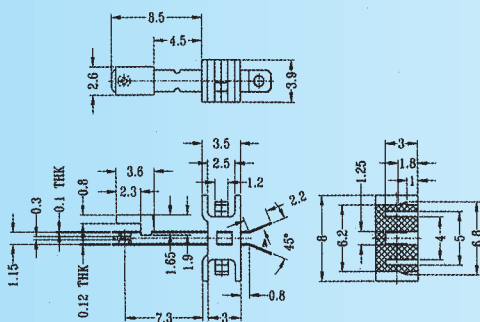
CONTACT PLATING	
LF-001	G = GOLD
	N = NICKEL
	S = SILVER
	X = NIL



LF-002 series

Rating: 1.5A 16V DC

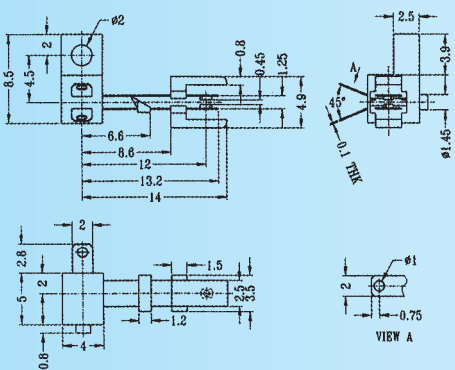
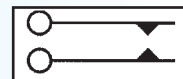
CONTACT PLATING	
LF-002	G = GOLD
	N = NICKEL
	S = SILVER
	X = NIL



LF-003 series

Rating: 1.5A 16V DC

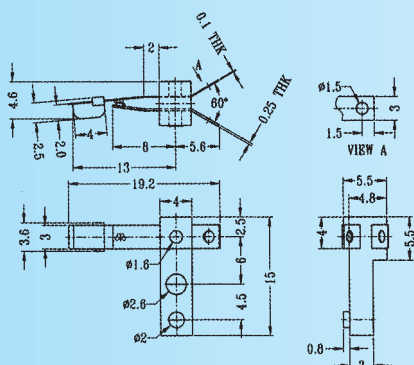
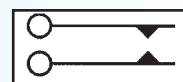
CONTACT PLATING	
LF-003	G = GOLD
	N = NICKEL
	S = SILVER
	X = NIL



LF-004 series

Rating: 1.5A 16V DC

CONTACT PLATING	
LF-004	G = GOLD
	N = NICKEL
	S = SILVER
	X = NIL



LF-006 series

Rating: 1.5A 16V DC

CONTACT PLATING	
LF-006	G = GOLD
	N = NICKEL
	S = SILVER
	X = NIL

