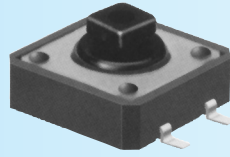
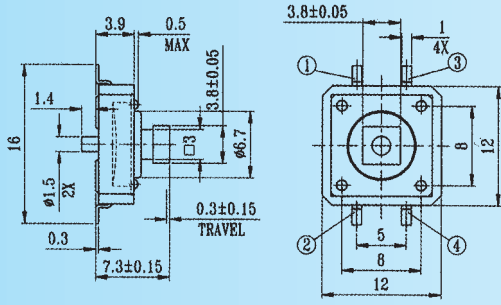


TD-12ET series TD-12XT series

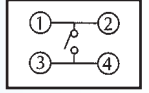


MODEL	GUIDE PIN	TAPE & REEL OPTION
TD-12ET	With	No
TD-12XT	Without	No

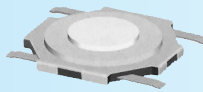
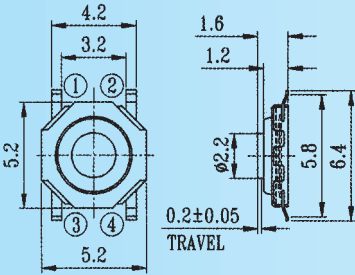
COVER TYPE	CODE	CODE	Operating Force, gf
PLASTIC	A01	X	160±50
METAL	A00	Z	250±100

1. RATING: DC 12V 50mA
2. TRAVEL: 0.3 ± 0.15 mm
3. CONTACT RESISTANCE 100mΩ MAX

CIRCUIT DIAGRAM



TD-13MA TD-13XA series anti dust

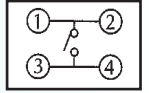


MODEL	Stem Material	TAPE & REEL OPTION
TD-13XA	Nylon	Yes
TD-13MA	Brass	Yes

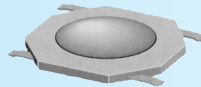
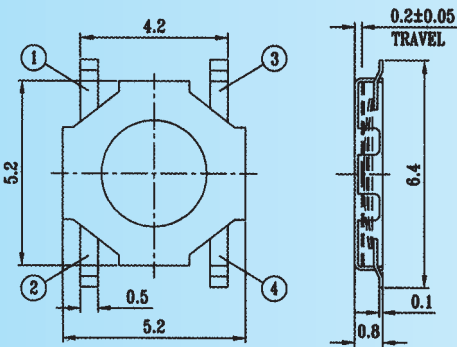
CODE	Operating Force, gf
X	160±50
Z	250±100

1. RATING: DC 12V 50mA
2. TRAVEL: 0.2 ± 0.05 mm
3. CONTACT RESISTANCE 100mΩ MAX

CIRCUIT DIAGRAM



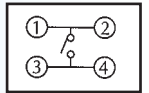
TD-14XA series anti dust



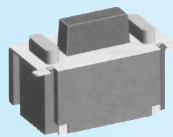
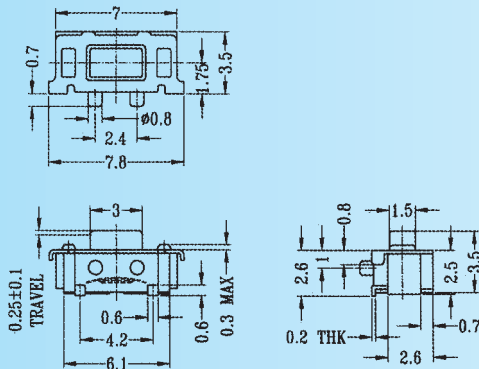
CODE	Operating Force, gf	TAPE & REEL OPTION
X	160±50	Yes
Z	250±100	Yes

1. RATING: DC 12V 50mA
2. TRAVEL: 0.2 ± 0.05 mm
3. CONTACT RESISTANCE 100mΩ MAX
4. TAPE & REEL OPTION: YES

CIRCUIT DIAGRAM



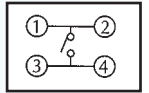
TD-15XA series TD-15EA series



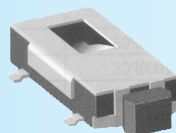
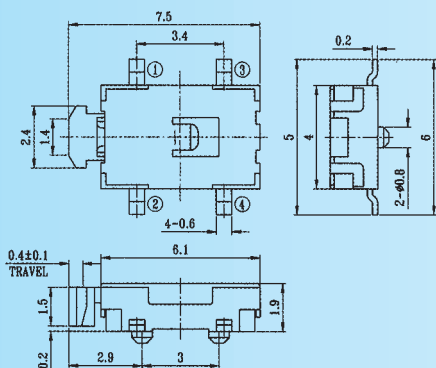
CODE	Operating Force, gf
Y	±50
Z	250±100

1. RATING: DC 12V 50mA
2. TRAVEL: 0.25 ± 0.1 mm
3. CONTACT RESISTANCE 100mΩ MAX
4. TAPE & REEL OPTION: YES

CIRCUIT DIAGRAM



TD-16EA series anti dust



CODE	Operating Force, gf
Y	180±50
Z	250±100

1. RATING: DC 12V 50mA
2. TRAVEL: 0.25 ± 0.1 mm
3. CONTACT RESISTANCE 100mΩ MAX
4. TAPE & REEL OPTION: YES

CIRCUIT DIAGRAM

